

Model: PE-32



Optional Sound Attenuated enclosed unit shown



Open unit shown



GENERAL DATA

Prime Power	kW/kVA	29	36
Continuous	kW/kVA	26	32
Standby power	kW/kVA	32	40
Frequency	Hz/rpm	60	1800
Voltage	V	480	277
Current	A		37.5
Connection	/		3P 4W Series
Rated Power Factor	/		0.8pf
Open Type (L×W×H)	mm		1300×750×1200
Open Type(Weight)	kg		
Silent Type (L×W×H)	mm		1800x1000x1100
Silent Type(Weight)	kg		1800

- Available in the following voltages 120/208, 277/480, 120/240 (both single and three phase)
- All data based on ISO3046, altitude 1000m (361ft), barometric pressure 1 00kPa (29.53inHg), air temperature 25 °C (77° F), relative humidity 30%.
- Please contact UQ-Power for correct generator capacity s election when the load application can't meet with the standard reference.
- UQ-Power diesel generators comply with standards ISO8528, ISO 1 4000, ISO3046, GB755, BS5000, VDE0530, ISO3046, IEC34-1

Standard Unit Configuration

Engine	Perkins Diesel Engine, to include air filter, fuel filters, oil filter, starting motor and charging Alternator
Alternator	YANAN SLG brushless AC alternator with Yanan YA460F or YA440 AVR
Radiator	50°C, fan with protective shroud
Base frame	Base mounted fuel tank, fuel meter, rubber anti-vibration pads, battery holder, steel frame
Circuit Breaker Engine	Molded case circuit breaker (MLCB)
Control System Start	DEEP SEA 6020
Battery	Lead-acid battery, connection cables.
Exhaust System	Flex exhaust, Elbow and flange, Exhaust silencer, etc.
Documents	UQ-Power standard, Mechanical drawing, electric drawing, operation & maintenance manual, certifications ECT.

Optional Available Equipment

Engine accessories	◇ Heavy-duty air filter ◇ Coolant heater ◇ Lube oil heater ◇ Fuel and Water Separator
Cooling system	◇ 50°C radiator ◇ Heat exchanger + water cooling tower + External water circulation pumping system + Remote horizontal water tank system
Control System	◇ Other Deep Sea or Comap or Controls Inc
Circuit Breaker	◇ ABB 2, 3 and 4 pole thermo-magnetic
Automatic Transfer Switch	◇ ATS- available in Nema 1 and 3R, 2 and 3 pole
Fuel Tank	◇ Standard tank 8 hour run time single wall tank, optional UL142 double wall tank available in 8, 12, and 24hour sizes.

ENGINE DATA



Model	404D-22TAG Tier 4	Engine power	36	kWM
Aspiration	Interim Turbocharged/AC	Displacement	2.2	L
Type	in line	Bore×Stroke	105x127	mm
No. of Cylinders	4- 4 Cycle	Compression Ratio	23.3:1	
Governor Type	Electronic/mechanical	Rated Speed	1800	RPM

■ Fuel System

Prime power Fuel consumption	8.3	l/h	Standby power Fuel consumption	9.3	l/h
Fuel #	Diesel #2		Injection System	Cassette Type FIP	

■ Lubrication System

Oil Capacity	10.6	L		
Lube #	API-CF 15W40			

■ Coolant System

Coolant Capacity	9.32	L	Max. Top Tank Temp.	112	°C
Thermostat range	85-95	°C	Fan Drive Type	Shaft drive	
Fan air flow	154m ³ /min				

■ Air Intake System

Air intake capacity	2.21	m ³ /min	Air Pressure	≅ 3	kPa
---------------------	------	---------------------	--------------	-----	-----

■ Exhaust System

Exhaust GasFlow	22.1	m ³ /min	Max.Back Pressure	10.2	kPa
Exhaust gas temp.	437c		Outlet size	42mm	

■ Starting System

Start Mode	Electric start	Battery	80	Ah
------------	----------------	---------	----	----

ALTERNATOR DATA

Alternator Model	Yanan SLG184H	Rate Power	37.5/47	kW/kVA
PF.	0.8	Voltage	480/277	V
Phase	3	Frequency	60	Hz
Connection	3P 4W, Y connection	Bearing	Single Bearing	
Winding Pitch	2/3	ProtectionClass	IP21	
Insulation Class	H/H	Efficiency	85.80%	
Tel. Influence	TIF: <50	Voltage	±1.0%	
Harmonic	THF: <2%	Regulation AVR	YN440	
Coefficient Voltage	≥±5%	Excitation	Self-excited	
Adjust Scope				

CONTROL SYSTEM DATA

MODEL DSE6020

Control Panel features

Electronic J1939 (CAN) and Modbus capable. MPU and alternator sensing engine support for diesel, and gas engines all in one controller. With a large number of flexible inputs, outputs and protection circuits.

The modules can be easily adapted to suit a wide range of applications.

Key Functions

- ▲utility voltage sensing
- ▲Generator/load power monitoring (kW, kVA, KVAR, pf)
- ▲Generator overload protection (kW) alarms
- ▲Efficient power save mode
- ▲mains and generator closed via front panel
- ▲4 configurable DC outputs
- ▲4 configurable analog/digital inputs & topping
- ▲6 configurable digital inputs
- ▲Support for 0-10 V & 4-20 mA oil pressure sensors
- ▲Configurable staged loading
- ▲CAN, MPU and alternator speed sensing in one variant
- ▲3 engine maintenance
- ▲engine speed protection
- ▲Engine pre-heat
- ▲Multiple date and time scheduler
- ▲Engine idle control for starting
- ▲Fuel pump control
- ▲Battery voltage monitoring
- ▲Start on low battery voltage output
- ▲Configurable remote start input
- ▲alternative configuration
- ▲alarm including common alarm, common electric and common shutdown
- ▲LCD and LED alarm indication
- ▲Configurable event log (50)
- ▲Heated display option available



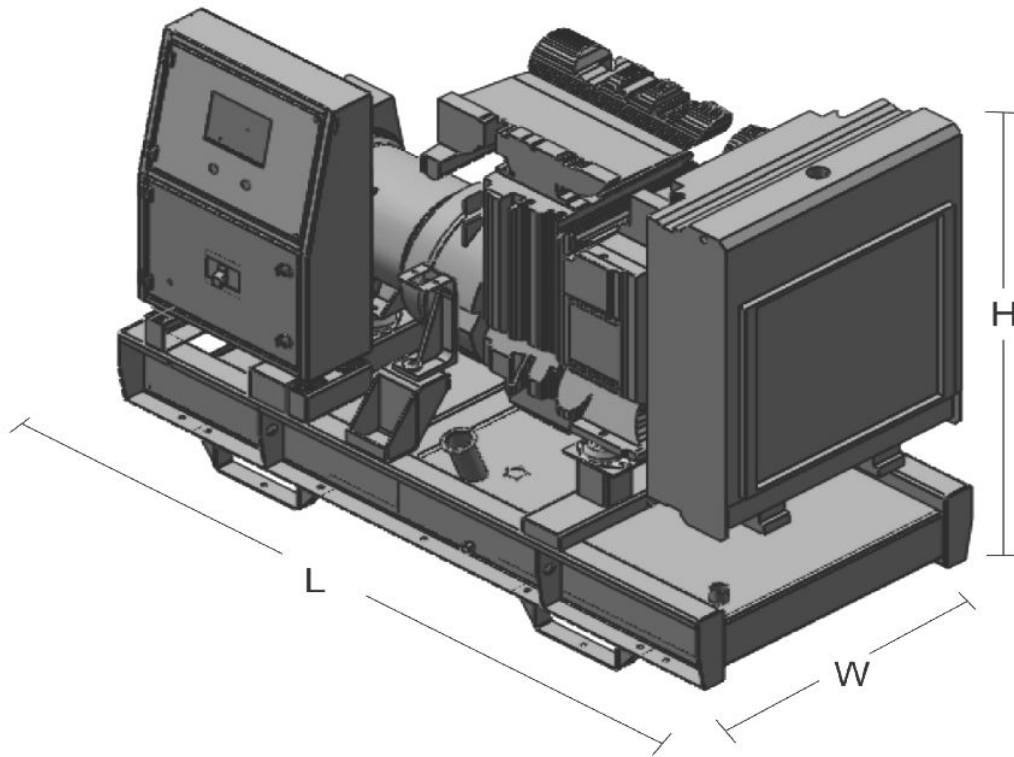
☆ For more information, please visit the [Deep Sea Controls website](http://www.deepseacontrols.com)

WARRANTY POLICY

1. Standard limited warranty for two year or 2000 hours (whichever comes first) from initial sales date to the end user. Refer to UQ-Power Diesel Generator Warranty Manual for more details. Second year of warranty is for parts replacement only. Engine warranty by MFG of engine (IE, Perkins)

2. Maintenance parts (filters, belts, hoses, batteries), improper operation and maintenance failures are excluded from the warranty policy.

Open Unit Size (LXWXH)	1300x750x1200mm
Enclosed unit (LXWXH)	1800x1000x1100 mm
Weight Open unit	1200kg (2645lbs)
Weight Enclosed unit	1800kg (3968lbs)



All data is subject to change without notice.



3875 Duck Creek Dr.
Stockton, Ca. 95215
(800) 760-9598 www.UQ-Power.com