

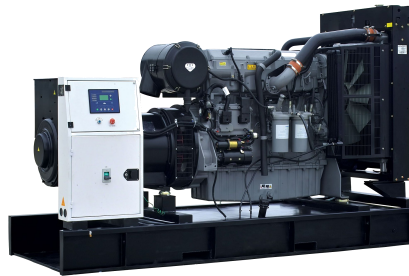
UQ-Power Diesel Generator Set



Model: PE-91



Optional Sound Attenuated enclosed unit shown



Open unit shown

GENERAL DATA

Prime Power	kW/kVA	91	113.8
Continuous	kW/kVA	68.3	85.3
Standby power	kW/kVA	100.1	125.1
Frequency	Hz/rpm	60	1800
Voltage	V	208	120
Current	A		350
Connection	/		3P 4W Series
Rated Power Factor	/		0.8pf
Open Type (L×W×H)	mm		2200×940×1435
Open Type(Weight)	kg		1500
Silent Type (L×W×H)	mm		2300x1100x1210
Silent Type(Weight)	kg		2000

- Available in the following voltages 120/208, 277/480, 120/240 (both single and three phase)
- All data based on ISO 3046, altitude 1000m (361ft), barometric pressure 100kPa (29.53inHg), air temperature 25 °C(77° F), relative humidity 30%.
- Please contact UQ-Power for correct generator capacity selection when the load application can't meet with the standard reference.
- UQ-Power diesel generators comply with standards ISO8528, ISO 14000, ISO3046, GB755, BS5000, VDE0530, ISO3046, IEC34-1

Standard Unit Configuration

Engine	Perkins Diesel Engine, to include air filter, fuel filters, oil filter, starting motor and charging Alternator
Alternator	YANAN SLG brushless AC alternator with Yanan YA460F or YA440 AVR
Radiator	50°C, fan with protective shroud
Base frame	Base mounted fuel tank, fuel meter, rubber anti-vibration pads, battery holder, steel frame
Circuit Breaker Engine	Molded case circuit breaker (MLCB)
Control System Start	DEEP SEA 6020
Battery	Lead-acid battery, connection cables.
Exhaust System	Flex exhaust, Elbow and flange, Exhaust silencer, etc.
Documents	YananUSA standard, Mechanical drawing, electric drawing, operation & maintenance manual, certifications ECT.

Optional Available Equipment

Engine accessories	◇ Heavy-duty air filter ◇ Coolant heater ◇ Lube oil heater ◇ Fuel and Water Separator
Cooling system	◇ 50°C radiator ◇ Heat exchanger + water cooling tower + External water circulation pumping system + Remote horizontal water tank system
Control System	◇ Other Deep Sea or Comap or Controls Inc
Circuit Breaker	◇ ABB 2, 3 and 4 pole thermo-magnetic
Automatic Transfer Switch	◇ ATS- available in Nema 1 and 3R, 2 and 3 pole
Optional Fuel Tank	◇ UL142 listed double wall tank available in 8, 12, and 24 hour sizes

ENGINE DATA 

Model	1104D-E44TAG2	Engine power	117	kW
Aspiration Type	Turbocharged,Air to air charge cooled	Displacement	4.41	L
No. of Cylinders	in line 4- 4 Cycle	Bore×Stroke	105x127	mm
Governor Type	Isochronous Governor ECM controlled	Compression Ratio	16.2:1	
		Rated Speed	1800	RPM

■ **Fuel System**

■ Prime power Fuel consumption	30	l/h	Standby power Fuel consumption	27.7	l/h
Fuel #	Diesel #2		Injection System	Bosch Type	

■ **Lubrication System**

Oil Capacity	8.0	L		
Lube #	API-CF 15W40			

■ **Coolant System**

Coolant Capacity	17	L	Max. Top Tank Temp.	112	°C
Thermostat range	85-95	°C	Fan Drive Type	Shaft drive	
Fan air flow	154m3/min				

■ **Air Intake System**

Air intake capacity	8.4	m3/min	Air Pressure	≅ 3	kPa
---------------------	-----	--------	--------------	-----	-----

■ **Exhaust System**

Exhaust GasFlow	19.2	m3/min	Max.Back Pressure	15.0	kPa
Exhaust gas temp.	480		Outlet size	64mm	

■ **Starting System**

Start Mode	Electric start	Battery	120	Ah
------------	----------------	---------	-----	----

ALTERNATOR DATA

Alternator Model	Yanan SLG274C	Rate Power	94/117.5	kW/kVA
PF.	0.8	Voltage	208/120	V
Phase	3	Frequency	60	Hz
Connection	3P 4W, Y connection	Bearing	Single Bearing	
Winding Pitch	2/3	ProtectionClass	IP21	
Insulation Class	H/H	Efficiency	85.80%	
Tel. Influence	TIF: <50	Voltage	±1.0%	
Harmonic	THF: <2%	Regulation AVR	YN440	
Coefficient Voltage	≥±5%	Excitation	Self-excited	
Adjust Scope				

CONTROL SYSTEM DATA

MODEL DSE6020

■ Control Panel features

Electronic J1939 (CAN) and Modbus capable. MPU and alternator sensing engine support for diesel, and gas engines all in one controller. With a large number of flexible inputs, outputs and protection circuits.

The modules can be easily adapted to suit a wide range of applications.

■ Key Functions

- ▲utility voltage sensing
- ▲Generator/load power monitoring (kW, kVA, kVAR, pf)
- ▲Generator overload protection (kW) alarms
- ▲Efficient power save mode
- ▲mains and generator closed via front panel
- ▲4 configurable DC outputs
- ▲4 configurable analog/digital inputs & topping
- ▲6 configurable digital inputs
- ▲Support for 0-10 V & 4-20 mA oil pressure sensors
- ▲Configurable staged loading
- ▲CAN, MPU and alternator speed sensing in one variant
- ▲3 engine maintenance
- ▲engine speed protection
- ▲Engine pre-heat
- ▲Multiple date and time scheduler
- ▲Engine idle control for starting
- ▲Fuel pump control
- ▲Battery voltage monitoring
- ▲Start on low battery voltage output
- ▲Configurable remote start input
- ▲alternative configuration
- ▲alarm including common alarm, common electric and common shutdown
- ▲LCD and LED alarm indication
- ▲Configurable event log (50)
- ▲Heated display option available



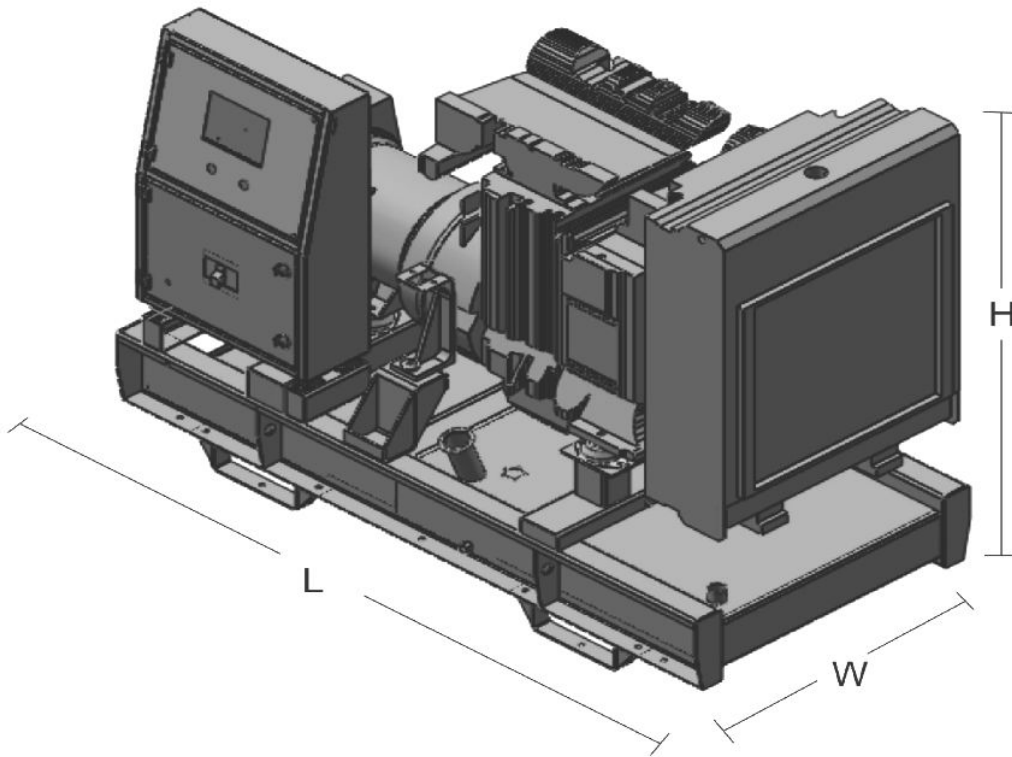
☆ For more information, please visit the [Deep Sea Controls website](http://www.deepseacontrols.com)

WARRANTY POLICY

1. Standard warranty for one year or 1000 hours (whichever comes first) from initial sales date to the end user. Refer to UQ-Power Diesel Generator Warranty Manual for more details.

2. Maintenance parts (filters, belts, hoses, batteries), improper operation and maintenance failures are excluded from the warranty policy.

Open Unit Size (LXWXH)	2200x940x1435mm
Enclosed unit (LXWXH)	2300x1100x1210mm
Weight Open unit	1500kg (3300lbs)
Weight Enclosed unit	2000kg (4400lbs)



All data is subject to change without notice.



3875 Duck Creek Dr.
Stockton, Ca. 95215
(800) 760-9598 www.UQ-Power.com