

NEW ERA SLG

SERIES THREE-PHASE BRUSHLESS SYNCHRONOUS ALTERNATOR

SLG184 TECHNICAL DATA SHEET

50Hz CLASS "H"

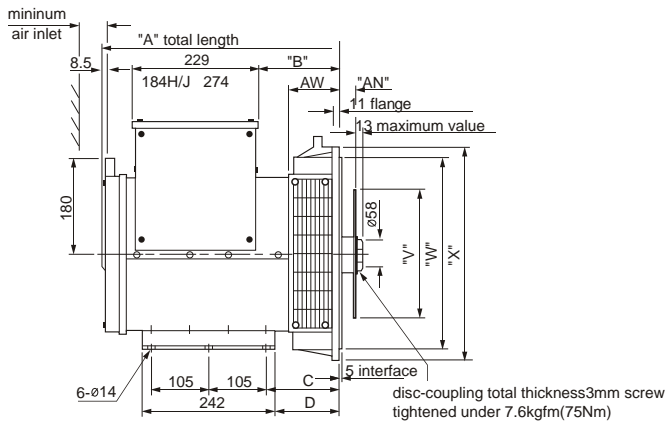
RATINGS	Winding 311 / 0.8 Power Factor														Winding 05			
Duty / Temp Rise / Ambient T°	Cont./125k/40°C								Cont./125k/40°C						Cont./125k/40°C			
PHASE	3 PHASE								1 PHASE						1 PHASE			
SERIES STAR	380		400		415		440								Power Factor			
PARALLEL STAR	190		200		208		220								0.8		1	
SERIES DELTA	220		230		240		254											
DOUBLE DELTA									220		230		240		220,230,240			
	KVA	KW	KVA	KW	KVA	KW	KVA	KW	KVA	KW	KVA	KW	KVA	KW	KVA	KW	KVA	KW
SLG184E	22.5	18	22.5	18	22.5	18	17.5	14	13	10.4	13	10.4	13	10.4	15	12	16.6	16.6
SLG184F	27.5	22	27.5	22	27.5	22	22.5	18	16	12.8	16	12.8	16	12.8	18.5	14.8	20	20
SLG184G	31.3	25	31.3	25	31.3	25	27.5	22	18.1	14.5	18.1	14.5	18.1	14.5	21	16.8	22.8	22.8
SLG184H	37.5	30	37.5	30	37.5	30	32.5	26	21.7	17.4	21.7	17.4	21.7	17.4	25	20	27	27
SLG184J	40	32	42.5	34	40	32	35	28	23.2	18.6	24.7	19.8	23.2	18.6	28	22.4	30	30

60Hz CLASS "H"

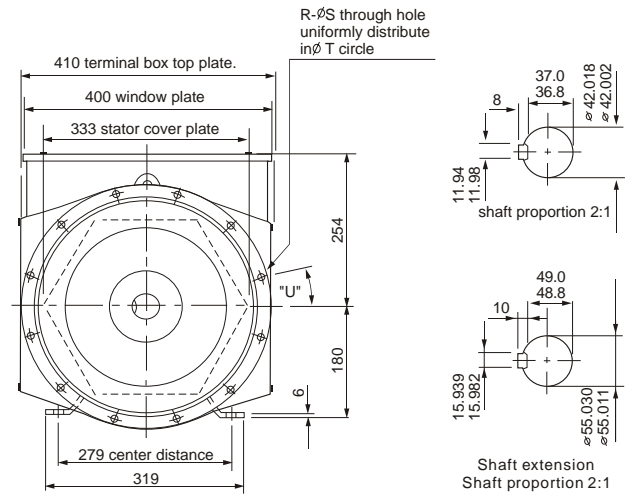
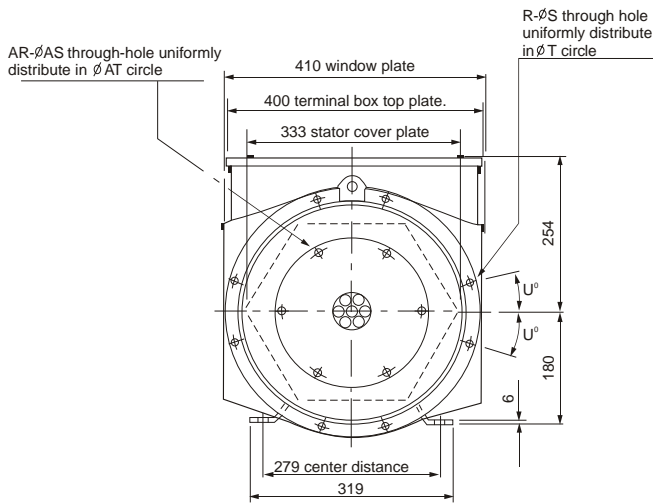
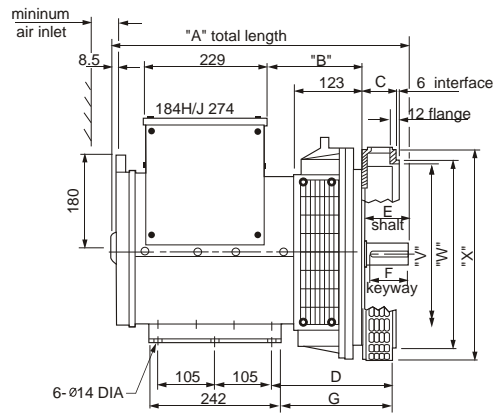
RATINGS	Winding 311 / 0.8 Power Factor														Winding 06			
Duty / Temp Rise / Ambient T°	Cont./125k/40°C								Cont./125k/40°C						Cont./125k/40°C			
PHASE	3 PHASE								1 PHASE						1 PHASE			
SERIES STAR	416		440		460		480								Power Factor			
PARALLEL STAR	208		220		230		240								0.8		1	
SERIES DELTA	240		254		266		277											
DOUBLE DELTA									220		230		240		220,230,240			
	KVA	KW	KVA	KW	KVA	KW	KVA	KW	KVA	KW	KVA	KW	KVA	KW	KVA	KW	KVA	KW
SLG184E	27.5	22	28.8	23	28.8	23	30	24	14.6	11.7	15.3	12.2	16	12.8	18.4	14.7	21	21
SLG184F	32.5	26	34.4	27.5	34.4	27.5	35	28	17.2	13.8	18	14.4	18.8	15	21.9	17.5	25.6	25.6
SLG184G	35	28	37.5	30	37.5	30	37.5	30	18.7	15	19.5	15.6	20.3	16.2	25	20	30	30
SLG184H	44.3	35.4	46.9	37.5	46.9	37.5	46.9	37.5	23.6	18.9	24.6	19.7	25.7	20.6	31.3	25	35	35
SLG184J	47.3	37.8	50	40	50	40	50	40	25	20	26.3	21	27.4	21.9	35	28	40	40

SLG184 External dimension

SINGLE BEARING



DOUBLE BEARING



Model	DIMENSION (mm)								SHIPMENT DATA		
	A				B				N.W/G.W (kg)	LXWXH (mm)	
	SAE2	SAE3	SAE4	SAE5	SAE2	SAE3	SAE4	SAE5			
SLG184E	471	443.5	431.5	443.5	186	159	147	159	120	133	565X485X620
SLG184F	561	533.5	521.5	553.5	276	249	237	269	150	156	675X510X620
SLG184G	561	533.5	521.5	553.5	276	249	237	269	156	172	675X510X620
SLG184H	620.5	593.5	581.5	613.5	291	264	252	284	216	226	740X510X620
SLG184J	620.5	593.5	581.5	613.5	291	264	252	284	226	236	740X510X620

Model	DIMENSION (mm)							SHIPMENT DATA		
	A	B	C	D	E	F	G	N.W (kg)	G.W (kg)	LXWXH (mm)
	SLG184E	551.5	177	65	228	82	77			
SLG184F	641.5	267	65	228	82	77	212	154	164	740X510X620
SLG184G	641.5	267	65	228	82	77	212	170	180	740X510X620
SLG184H	734.5	282	105	268	110	100	252	220	230	820X510X620
SLG184J	734.5	282	105	268	110	100	252	230	240	820X510X620

S.A.E.NO.	FLANGE (mm)								
	AW	R	S	T	U°	W	X	C	D
2	132.3	12	11	466.7	15	447.6	489	172	156
3	105	8**	11	428.6	15	409.5	451	145	129
4	93	8	11	381.0	15	361.9	402	133	117
5	125(105)***	8	11	333.3	22.5	314.3	356	165(145)***	149(129)***
6*	136.7	8	11	285.8	22.5	266.7	308	176.7	160.7

S.A.E.NO.	FLANGE (mm)						W	X
	R	S	T	U°	V			
1	12	12.7	530.2	15	500	511.17	553	
2	12	11	466.7	15	432	447.6	495	
3	12	11	428.6	15	396	409.5	451	
4	12	11	381.0	15	352	361.9	403	
5	8	11	333.3	22.5	301	314.3	356	

NOTE: * "A" dimension should extend 31.7mm corresponding to an additional spacer plate added on SAE6
 ** 8 holes of SAE3 uniformly distribute on the circle spaced as 12.
 *** The AW dimension of 184E should be 105,C dimension is 145,D dimension is 129.

S.A.E.NO.	DISC COUPLING (mm)				
	AN	AR	AS	AT	V
6.5 Δ	30.16	6	8.7	200.0	215.8
7.5 Δ	30.16	8	8.7	222.2	241.2
8	61.9	6	11	244.5	263.4
10	53.98	8	11	295.3	314.2
11.5	39.68	8	11	333.4	352.3
14 Δ	25.4	8	13.5	438.2	466.5

	SINGLE BEARING SAE NO SELECTOR				
	SAE 6.5	SAE 7.5	SAE 8	SAE 10	SAE 11.5
SAE 3	•	•		•	•
SAE 4	•	•	•		
SAE 5	•	•			
SAE 6	•				

NOTE: Δ SAE14 is applicable for SLG184H/J iron core;
 SAE6.5&7.5 are not applicable for SLG184H/J iron core.